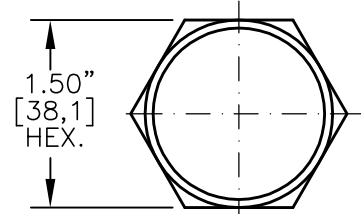
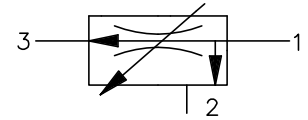
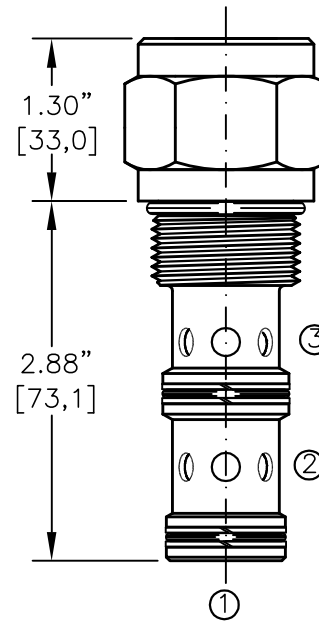
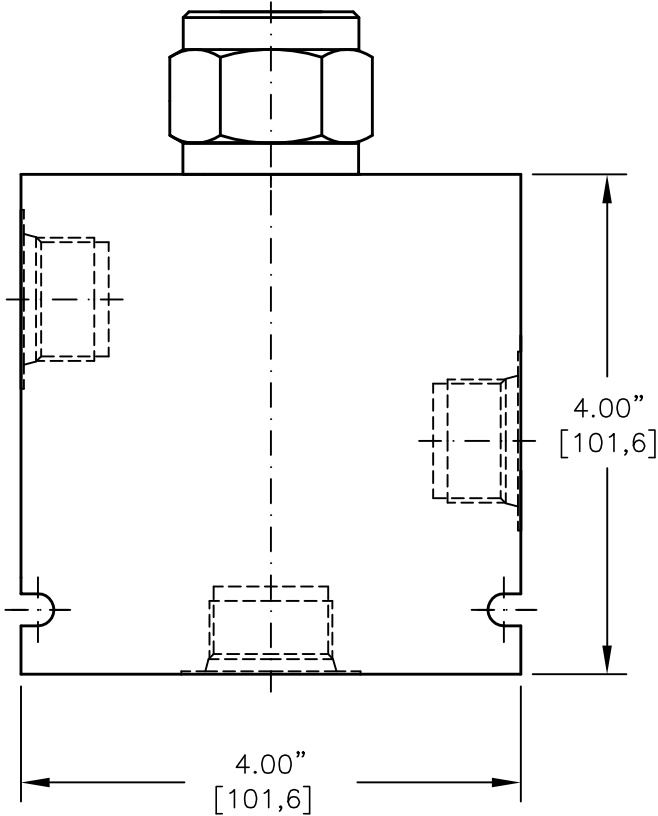




# FLOW CONTROL VALVE PRESSURE COMPENSATED, FIXED ORIFICE, PRIORITY TYPE.



TORQUE to 95/100 Ft-Lb. [127/135 N-m]



FOR ALUMINUM OR STEEL VALVE HOUSING CONFIGURATIONS SEE PAGE 0-034.1

## BFCV-16-X-F-X-XX

BASIC

SIZE

16 = 1.312"-12 UNF

SEALS

N = BUNA "N"

V = VITON

ADJUSTMENT

F = FIXED (FACTORY SET)

REGULATED FLOW TO BE SPECIFIED  
EXAMPLE

1.5=1.5 GPM (5,7l/m)

PORTS

0 = CARTRIDGE ONLY

06BX = G 3/4" BSPP

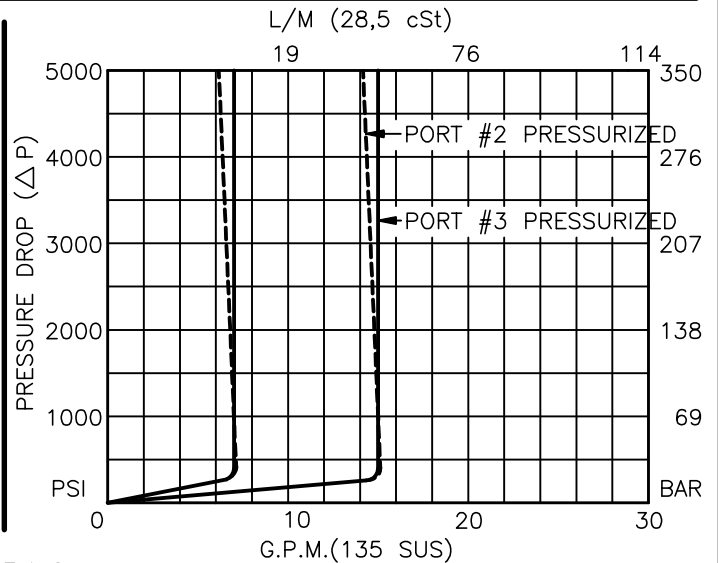
08BX = G 1" BSPP

12TX = SAE - #12

16TX = SAE - #16

"A" - ALUM. HOUSING

"S" - STEEL HOUSING





## FLOW CONTROL VALVE PRESSURE COMPENSATED, FIXED ORIFICE, PRIORITY TYPE.

### DESCRIPTION – FIXED

This unit is a SCREW IN, cartridge type, pressure compensated, fixed orifice, priority type hydraulic flow control valve.

FLOW RANGE: 0.5 TO 30.0 GPM [1,8 TO 114,0 L\M]

### OPERATIONS

Valve maintains constant flow from port 1 to 3 regardless of system pressure or load and excess flow is diverted to port 2. Flow from port 3 goes thru the control orifice to port 1 at non-compensated flow.

### FEATURES AND BENEFITS

Valve is available with a fixed flow setting only.  
All external carbon steel parts are plated for longer life against the elements.  
All cartridge valves are 100% functionally tested.  
Externally removable flow orifice disc.  
Industry common cavity.

### SPECIFICATIONS

OPERATING PRESSURE: 5,000 PSI (350 Bar)

PROOF PRESSURE: 10,000 PSI (700 Bar)

FLOW: 0.5 to 30.0 GPM [1,8 to 114,0 l/m] nominal. See performance chart.

FLOW ACCURACY:

0.5 to 4.0 GPM [1,8 to 15,0 L\M] = +\ - 10.0%

4.0 to 16.0 GPM [15,0 to 60,0 L\M] = +\ - 7.5%

16.0 to 30.0 GPM [60,0 to 114,0 L\M] = =\ - 5.0%

VALVE HOUSINGS: 2500 PSI [175 Bar] = Aluminum - Anodized.

5000 PSI [350 Bar] = Steel - Unplated.

OPERATING TEMPERATURE: -40° to +250° F. [-40° to +120° C.]

OPERATING MEDIA: All general purpose hydraulic fluids such as  
MIL-H-5606, SAE-#10, SAE-#20, etc.

INSTALLATION: No restrictions.

SEAL KIT: SKN-1632 Buna "N".

SKV-1632 Viton.

WEIGHT: 1.40 lb [.64 kg] cartridge only.

VALVE CAVITY: #C1630, See Page 0-034.0.